



## CATALOGUE

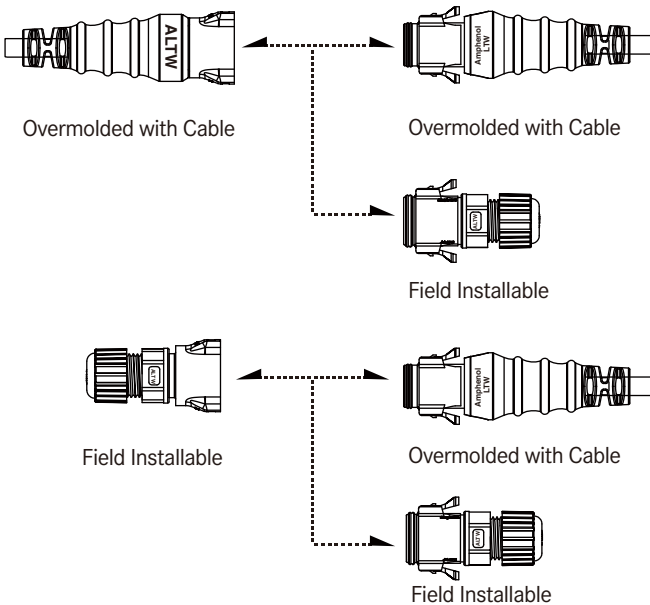
# RBL Connector



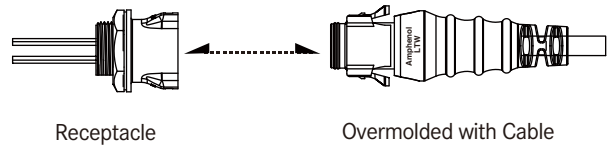
- Haptic
- Blind Mating
- Push-to-Connector
- Easy and Fast Disconnect

## Range Overview

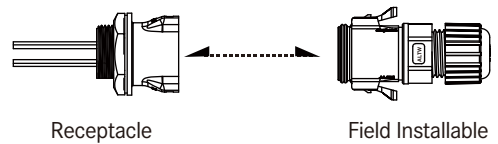
### ∨ In-line



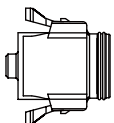
### ∨ Receptacle and Mating Pair



### ∨ Receptacle to Field Installable



### ∨ Accessories



Waterproof Cap  
See page 20-6

## Specification

<b>Identifications</b>	C Size (Middle Size: 13/16"-28 UNS)
<b>Description</b>	Receptacle Overmolded with Cable Field Installable
<b>Current Rating / Data</b>	5A, 10A
<b>Material</b>	Contacts: Copper Alloy, Tin Plated & Gold Plated (Selective) Connector Body (Housing) : m-PPE,540Z,BK
<b>Waterproof Rating</b>	IP67(Mate Waterproof)
<b>Temperature Range</b>	Receptacle: -40°C ~ +105°C Overmolded with Cable: -20°C~80°C Field Installable: -40°C~ +105°C
<b>Contact Resistance</b>	≤ 10mΩ
<b>Insulation Resistance</b>	≥ 100mΩ at DC500V
<b>Durability</b>	1000 cycles
<b>Breakdown Voltage</b>	≥ AC1000V / 1 minute
<b>More to know</b>	Salt Spray Corrosion Test: 4H Standard cable length: 01~99M

\* Design and specification are subject to change without notice.

# Ordering Information

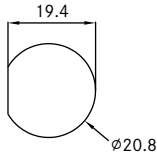
	<b>1</b>	<b>2</b>	<b>3</b>	<b>4</b>	<b>5</b>	<b>6</b>	<b>7</b>	<b>8</b>	<b>9</b>	<b>10</b>								
<p>Specification / Current Rating  <u>&gt;Middle size:13 / 16"-28 UNS</u>                  (SCD) 5A                  (SCB) 10A</p>																		
<p>Number of Contacts                  04, 06                  EX. (04) = 4 Contacts</p>																		
<p>Connector Body (Style)  <u>&gt; For Receptacle</u>      <u>&gt; For Ovremolded with Cable</u>      <u>&gt; For Field installable</u>                  (R) Rear Fastened      (M) With Strain Relief      (F) Without Strain Relief</p>																		
<p>Connector (Housing) Gender                  (M) Male      (F) Female</p>																		
<p>Contact Gender                  (S) Male (Stamp)                  (P) Female (Stamp)      * Choose the Plating to Tin or Gold.</p>																		
<p>Assemble Style  <u>&gt; For Receptacle</u>      <u>&gt; For Overmolded with Cable</u>                  (S) Solder Type      (C) Crimp Type  <u>&gt; For Field Installable</u>                  (C) Crimp Type</p>																		
<p>Mating Style                  (R) Snap-in with</p>																		
<p>Backshell  <u>&gt; For Receptacle</u>      <u>&gt; For Overmolded with Cable</u>      <u>&gt; For Field Installable</u>                  (C) Circular      (L) Straight      (L) Straight                  (S) Square Flange</p>																		
<p>Waterproof Rating                  (7) IP 67</p>																		
<p>More information  <u>&gt; For Receptacle with Wirehamess</u>      <u>&gt; For Overmolded with Cable</u>                  (□)+(■) : Wire Type + Wire Length      (□)+(■) : Cable Type + Cable Length                  EX. (A10) = UL1015 Wire + 10 CM</p> <table border="0" style="width: 100%;"> <tr> <td style="width: 25%;"><u>(□) : Wire Type</u></td> <td style="width: 25%;"><u>(■) : Wire Length</u></td> <td style="width: 25%;"><u>(□) : Cable Type</u></td> <td style="width: 25%;"><u>(■) : Cable Length</u></td> </tr> <tr> <td>(A) UL1015 Wire</td> <td>(10) 10CM (30) 30CM</td> <td>(A) UL2464 Cable (B) UL2586 Cable (C) Power Cable(TC-ER)</td> <td>From 1M to 99M EX.(01) = 1M</td> </tr> </table>											<u>(□) : Wire Type</u>	<u>(■) : Wire Length</u>	<u>(□) : Cable Type</u>	<u>(■) : Cable Length</u>	(A) UL1015 Wire	(10) 10CM (30) 30CM	(A) UL2464 Cable (B) UL2586 Cable (C) Power Cable(TC-ER)	From 1M to 99M EX.(01) = 1M
<u>(□) : Wire Type</u>	<u>(■) : Wire Length</u>	<u>(□) : Cable Type</u>	<u>(■) : Cable Length</u>															
(A) UL1015 Wire	(10) 10CM (30) 30CM	(A) UL2464 Cable (B) UL2586 Cable (C) Power Cable(TC-ER)	From 1M to 99M EX.(01) = 1M															

# Physical Dimension

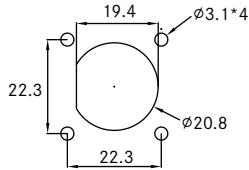
## Receptacle

**A** Backshell: Circular    **B** Backshell: Square Flange

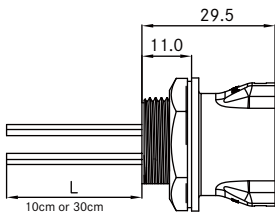
Panel Cut-Out



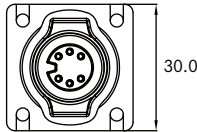
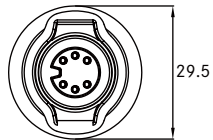
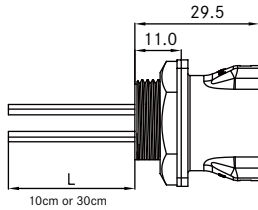
Panel Cut-Out



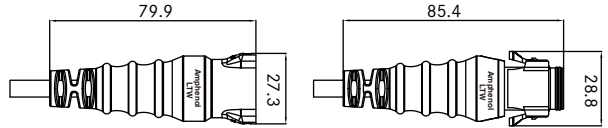
Connector Dimension



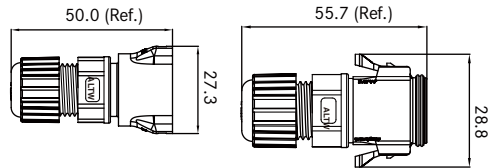
Connector Dimension



## Overmolded with Cable



## Field Installable



# Contact Configuration

	Middle Size (C)			
	5A		10A	
<b>4</b> <b>5</b>	MM or FF	MF or FM	MM or FF	MF or FM
2Pin				
3Pin				
4Pin				
			R C F	
5Pin				
6Pin				
	R C F			

**R:** receptacle  
**C:** overmolded with cable  
**F:** Field Installable

● 5A (SCD) **1**  
● 10A (SCB)

**Contact Number:** **2**  
Contacts (06), (04)

**Connector (Housing) Gender:** **4**  
Male(M) or Female(F)

**Contact Gender:** **5**  
Male(M) or Female(F)

**More to Choose:** **6**

● Solder (S)      ● Crimp (C)

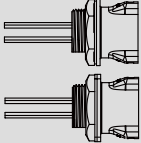
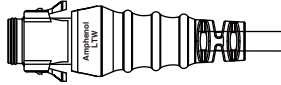
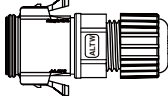
\* More available: 1. The plating to gold or tin  
2. Plated thickness

**1** — **2** **3** **4** **5** **6** — **7** **8** **9** **10**

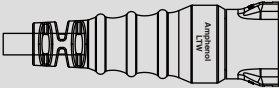
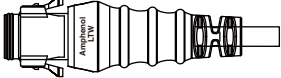
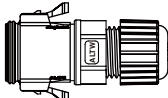
\* Design and specification are subject to change without notice.

## Find Our Standard Products

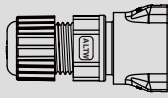
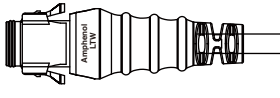
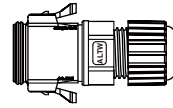
### ∟ Middle Size: 13/16"-28 UNS > Receptacle and Mating Pair

<ul style="list-style-type: none"> <li>● Female Connector</li> <li>● Snap-in with Latch</li> </ul>		<p>Receptacle</p>  <p>* Receptacle With Wireharness: A10 - 10cm; A30 - 30cm ** Choose the cable length:01-99</p>	<p>Overmolded with Cable</p>  <p>** Select cable length from 01~99m</p>	<p>Field Installable</p> 
Current Rating (Code)	Contacts	Female Connector (F)	Male Connector (M)	Male Connector (M)
5A (SCD)	06	SCD-06RFPS-RC** SCD-06RFPS-RS**	SCD-06MMSC-RL7A**	SCD-06FMSC-RL7001
10A (SCB)	04	SCB-04RFPS-RC** SCB-04RFPS-RS**	SCB-04MMSC-RL7A**	SCB-04FMSC-RL7001

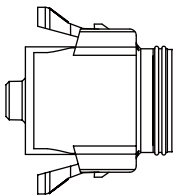
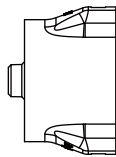
### ∟ Middle Size: 13/16"-28 UNS > In-line

<ul style="list-style-type: none"> <li>● Female Connector</li> <li>● Snap-in with Latch</li> </ul>		<p>Overmolded with Cable</p>  <p>** Select cable length from 01~99m</p>	<p>Overmolded with Cable</p>  <p>** Select cable length from 01~99m</p>	<p>Field Installable</p> 
Current Rating (Code)	Contacts	Female Connector (F)	Male Connector (M)	Male Connector (M)
5A (SCD)	06	SCD-06MFPC-RL7A**	SCD-06MMSC-RL7A**	SCD-06FMSC-RL7001
10A (SCB)	04	SCB-04MFPS-RS**	SCB-04MMSC-RL7A**	SCB-04FMSC-RL7001

### ▾ Middle Size: 13/16"-28 UNS >In-line

<ul style="list-style-type: none"> <li>● Female Connector</li> <li>● Snap-in with Latch</li> </ul>		Field Installable	Overmolded with Cable	Field Installable
				
		** Select cable length from 01-99m		
Current Rating (Code)	Contacts	Female Connector (F)	Male Connector (M)	Male Connector (M)
5A (SCD)	06	SCD-06FFPC-RL7001	SCD-06MMSC-RL7A**	SCD-06FMSC-RL7001
10A (SCB)	04	SCB-04FFPC-RL7001	SCB-04MMSC-RL7A**	SCB-04FMSC-RL7001

### ▾ Accessories > Waterproof Cap

 			
Mating Pair (Gender): Female		Mating Pair (Gender): Male	
<span style="border: 1px solid black; border-radius: 50%; padding: 2px;">5</span> Choose Connector Gender Male (M) or Female (F)			
Size	Mating Pair	Mating Style	Part Number
13/16"-28 UNS	Receptacle	Snap In With Latch	CAP-WAC <span style="border: 1px solid black; border-radius: 50%; padding: 2px;">5</span> RMA1
	Overmolded with Cable	Snap In With Latch	
	Receptacle and Overmolded with Cable	Snap In With Latch	

**Amphenol LTW Technology Co., Ltd. (Headquarter)**

9F., No.657-12, Zhongzheng Rd., Xinzhuang Dist., New Taipei City 242, Taiwan  
Telephone: +886-2-29085626 Fax: +886-2-29029787  
www.amphenolltw.com

**Shulin plant, Taiwan**

No.10, Shutan St., Shulin Dist., New Taipei City 238, Taiwan

**Kunshan plant, China**

No. 62 Da Tung Road, Peng Lang Street, Kunshan City , Jiangsu Province, China  
Telephone: +86-512-5761-0501  
Fax: : +86-512-5761-0515

**For further information, please contact :**

Sales & Marketing Department | Email : sales@ltw-tech.com



Scan to visit our website