

Y-LOCK PULLFORCE
CONNECTOR AND CABLE SYSTEM
CONNECTOR SOLUTIONS

Y-LOCK® PULLFORCE CONNECTOR AND CABLE SYSTEM

SERIES Y-LPF

Developments of new products in the current market situation require good performance and use of the technical complexity and space available, especially when it comes down to efficiency!

Efficiency means the achievement of a full range of functions on the smallest of available space. With our Y-Lock® Pullforce connector system we realise these requirements.

Because Y-Lock® Pullforce fulfills the need for a smart technology, space-saving design and the reduction of handling costs in different areas



APPLICATIONS:

Due to the special design features the Y-Lock Pullforce fulfills the highest requirements and can be used in applications which have a need for very high demands.

- Automotive systems
- Lightning systems
- Industrial Process Systems
- Medical equipments

FUNCTIONALITY OF LOCKING MECHANISM:

Lock mechanism by use of small hooks at the board connector

The hooks lock the FFC/FPC behind the supporting tape

Use of standard FFC/FPC under compliance with tolerances:

- Supporting Tape: 4.5mm+/-0.50mm
- Stripped length: 3.0mm +/- 1.00mm

ADVANTAGES:

New design for an easy, quick and secure assembly for a Board-to-cable solution "One-push lock" system

Standard FFC/FPC with supporting tape.
Optional use of an additional stiffener

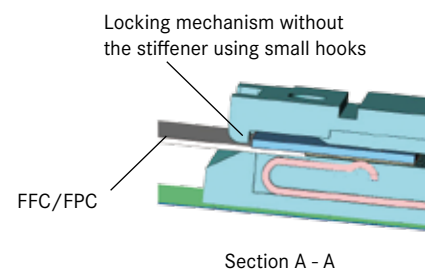
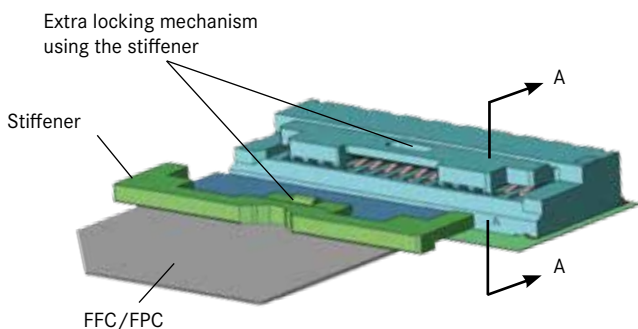
- Pitches: 0.5 and 1.0mm
- 90° and 180° versions
- Various pin counts available
- Non-ZIF system
- Automatic assembly is possible

OPTIONAL USE OF AN ADDITIONAL STIFFENER

The design of the additional stiffener avoids wrong insertion

Optimised security during the plugging, e.g. against strong vibrations

Yamaichi Electronics offers the complete assembly of the FFC/FPC with the additional stiffener



SERIES Y-LPF ORDERING CODES

Ordering Code for Board Connectors

Y-LPF	- C	X	-XX	-S	X	- X	X	- R
Serie	Connector	Pitch 1 = 1.0mm 5 = 0.5mm	Pin Count 12 16 etc.	SMT	Orientation 1 = 180° 9 = 90°	Plating Mating Area B = 0.3µm Au L = Tin	Plating Termination Area F = Au Flash L = Tin	Packaging on Reel

Ordering Code for FFC / FPC Cable

= Standard length minus 6mm

Y-LPF	- X	X	- XX	- XXX	- X	X	- X	- X
Serie	F = FFC P = FPC	Pitch 1 = 1.0mm 5 = 0.5mm	Pin Count 12 to 30	Insulation Length	Direction Supporting Tape A = same B = opposite	Additional Stiffener 0 = none 1 = one side 2 = both sides	Plating Termination Area F = Au Flash L = Tin	UL No. S = UL2896 V = UL20706

Product Line Status

Pitch	¹⁾ Part Number	Pin Count	Orientation
1.00mm	Y-LPF-C5-30-S1-BF-R	**	180°C
	Y-LPF-C5-30-S9-BF-R	**	90°C
0.50mm	Y-LPF-C5-30-S1-BF-R	30	180°C
	Y-LPF-C5-30-S9-BF-R	30	90°C

** Available Pin Counts: 12, 14, 16, 18, 20, 22, 24, 26, 28 and 30

Features

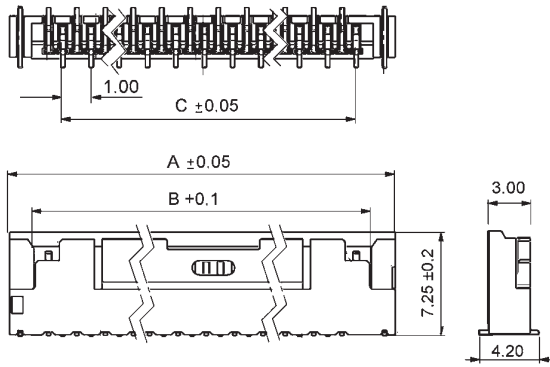
Description	Pitch 0.5mm	Pitch 1.0mm
Temperature Range	-40°C to +105°C	
Solder Connection	SMT	
Solder Process	Reflow	
Mating Cycles	Minimum 10	
¹⁾ Contact Plating	0.3µm AU	Tin
Voltage Rating	50V DC	125V DC
Current Rating	0.5A	1A
Packaging	Tape & Reel (180° version with Pick & Place cap)	

¹⁾ Different platings available

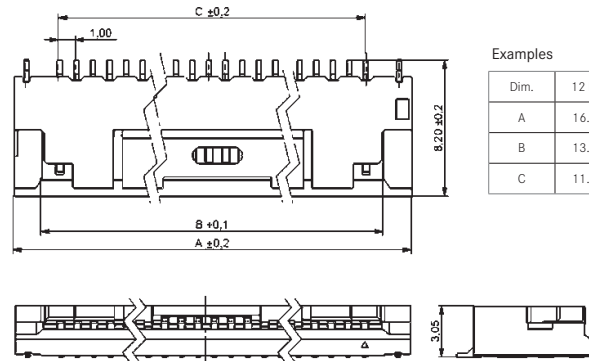
Y-LOCK® PULLFORCE CONNECTOR AND CABLE SYSTEM

Example outline dimensions for 180° and 90° types (1.00mm pitch)

Y-LPF-CI-*-SI-LL-R (180° TYPE)



Y-LPF-CI-*-S9-LL-R (90° TYPE)

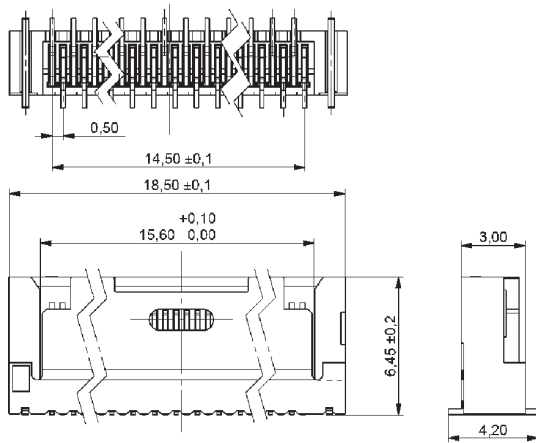


Examples

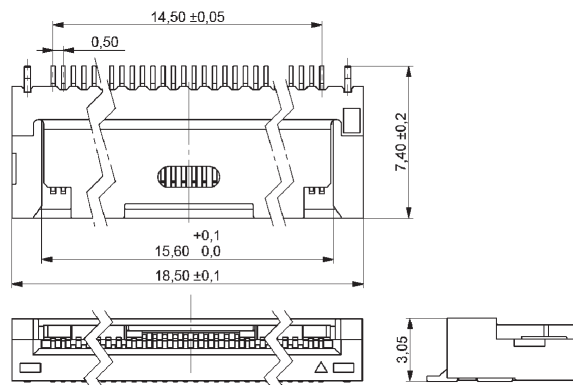
Dim.	12 Pin	16 Pin	30 Pin
A	16.50	20.50	34.50
B	13.10	17.10	31.10
C	11.00	15.00	29.00

Example outline dimensions for 180° and 90° types (0.50mm pitch)

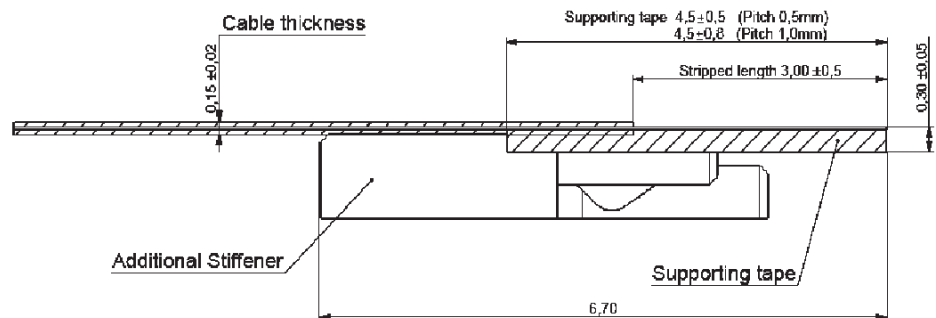
Y-LPF-C5-30-SI-BF-R (180° TYPE)



Y-LPF-C5-30-S9-BF-R (90° TYPE)



Example outline dimensions for Y-Lock Pullforce locking and cable system



YAMAICHI ELECTRONICS
 Deutschland GmbH
 Concor Park
 Bahnhofstraße 20
 85609 Aschheim-Dornach
 Germany

YAMAICHI ELECTRONICS
 Italia s.r.l.
 Centro Direzionale Colleoni
 Via Colleoni, 1
 Palazzo Taurus Ing. 1
 20864 Agrate Brianza (MB)
 Italy

YAMAICHI ELECTRONICS
 GB Ltd.
 6 The Clockhouse
 Stratton Park
 Micheldever
 Hampshire SO21 3DP
 Great Britain

Phone +49 (0)89 45109-0
 Fax +49 (0)89 45109-110
 E-Mail info@yamaichi.de
 Web www.yamaichi.eu

Phone +39 039 6881-185
 Fax +39 039 6892-150
 E-Mail sales@yamaichi.it
 Web www.yamaichi.eu

Phone +44 (0)7808 493377
 Fax +44 (0)1962 774902
 E-Mail sales@yamaichi.co.uk
 Web www.yamaichi.eu