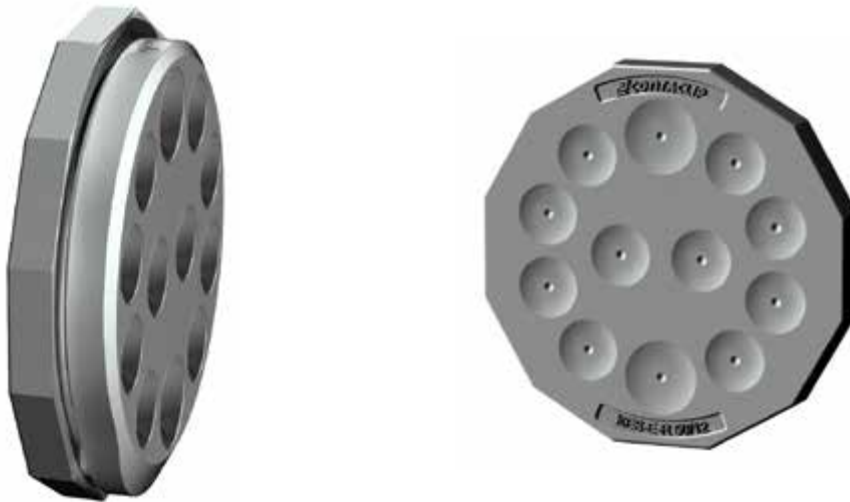


KES-E-R

Round cable entries

Many cables in a confined space: The **KES-E-R** cable entry system enables you to insert many cables (without plugs) with diameters ranging from 1.0 mm to 22.5 mm into a very confined space. The cable entry is inserted without tools into the intended opening (variant "A" for wall thickness from 1.5 to 2.5 mm, and variant "B" for wall thickness from 2.5 to 4.0 mm).

In order to insert the cables, the corresponding membrane (with marked centring point) must be pierced; the cables are then simply guided through. The material TPE guarantees that IP54 protection is maintained.



Your advantages

- Tool-free installation
- Outstanding stability
- Simple assembly (with marked centre point)
- High-density assemblies
- Hygienic design
- For walls of various thickness



Features

- Material: TPE
- Flammability: UL 94 V-0
- Temperature range: -40 °C to +90 °C (static)
- Halogen-free, silicone-free
- Wall thickness A: 1.5 – 2.5 mm, and B: 2.5 – 4.0 mm
- Protection class: IP54

KES-E-R variety



KES-E-R 50/9



KES-E-R 50/11



KES-E-R 50/12



KES-E-R 50/16



KES-E-R 50/18



KES-E-R 50/20



KES-E-R 50/35

IP54



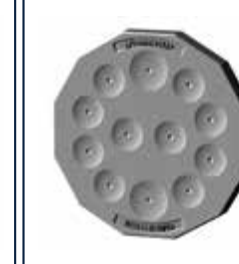
RoHS
compliant




Made in
Germany




KES-E-R

Round cable entries

Round cable entries		KES-E-R 50/9	KES-E-R 50/11	KES-E-R 50/12
				
Type		KES-E-R 50/9 A GR ●	KES-E-R 50/11 A GR ●	KES-E-R 50/12 A GR ●
<i>Cat. no.</i>	Qty.	28829.6 10	28830.6 10	28831.6 10
For wall thickness		1.5–2.5	1.5–2.5	1.5–2.5
Type		KES-E-R 50/9 B GR ●	KES-E-R 50/11 B GR ●	KES-E-R 50/12 B GR ●
<i>Cat. no.</i>	Qty.	28859.6 10	28860.6 10	28861.6 10
For wall thickness		2.5–4.0	2.5–4.0	2.5–4.0
Connection data				
Number of cables x cable diameter (mm)		5 x 1.0–7.0 4 x 1.0–18.0	7 x 1.0–7.2 3 x 1.0–11.2 1 x 1.0–22.5	10 x 1.0–9.2 2 x 1.0–11.2
Features				
Protection		IP54	IP54	IP54

Round cable entries		KES-E-R 50/16	KES-E-R 50/18	KES-E-R 50/20
				
Type		KES-E-R 50/16 A GR ●	KES-E-R 50/18 A GR ●	KES-E-R 50/20 A GR ●
<i>Cat. no.</i>	Qty.	28832.6 10	28833.6 10	28834.6 10
For wall thickness		1.5–2.5	1.5–2.5	1.5–2.5
Type		KES-E-R 50/16 B GR ●	KES-E-R 50/18 B GR ●	KES-E-R 50/20 B GR ●
<i>Cat. no.</i>	Qty.	28862.6 10	28863.6 10	28864.6 10
For wall thickness		2.5–4.0	2.5–4.0	2.5–4.0
Connection data				
Number of cables x cable diameter (mm)		4 x 1.0–5.3 5 x 1.0–6.3 3 x 1.0–9.5 4 x 1.0–11.3	2 x 1.0–4.0 2 x 1.0–6.0 4 x 1.0–7.2 5 x 1.0–9.4 5 x 1.0–12.0	16 x 1.0–6.3 4 x 1.0–9.3
Features				
Protection		IP54	IP54	IP54

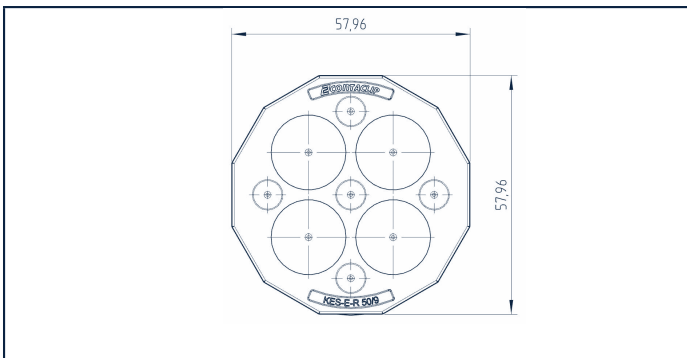
Round cable entries		KES-E-R 50/35		
				
Type		KES-E-R 50/35 A GR ●		
<i>Cat. no.</i>	Qty.	28835.6 10		
For wall thickness		1.5–2.5		
Type		KES-E-R 50/35 B GR ●		
<i>Cat. no.</i>	Qty.	28865.6 10		
For wall thickness		2.5–4.0		
Connection data				
Number of cables x cable diameter (mm)		35 x 1.0–5.2		
Features				
Protection		IP54		

KES-E-R

Dimensional drawing / Mounting cut-out for cable entries

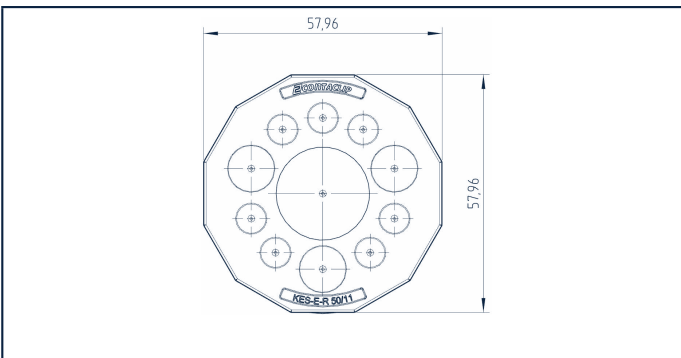
KES-E-R 50/9

Dimensional diagram



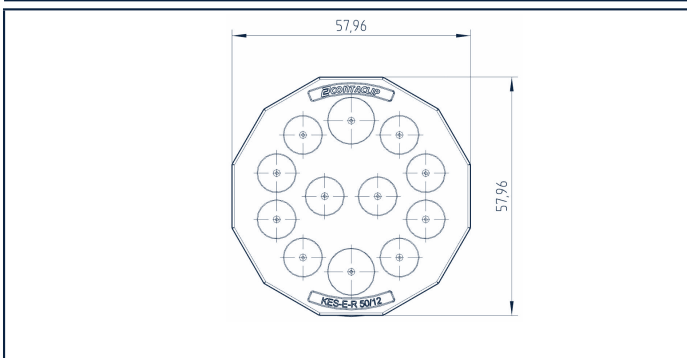
KES-E-R 50/11

Dimensional diagram



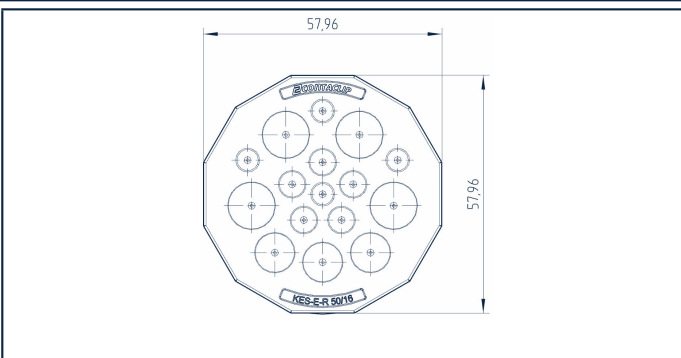
KES-E-R 50/12

Dimensional diagram



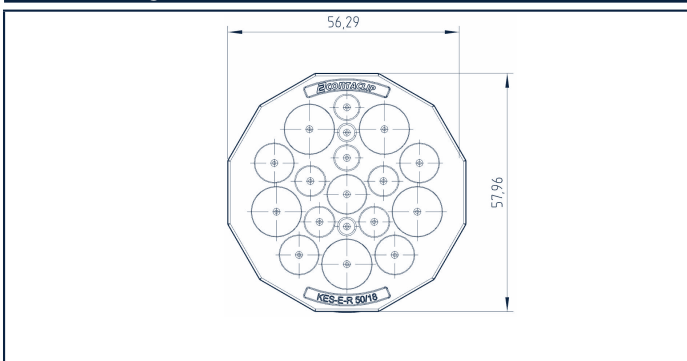
KES-E-R 50/16

Dimensional diagram



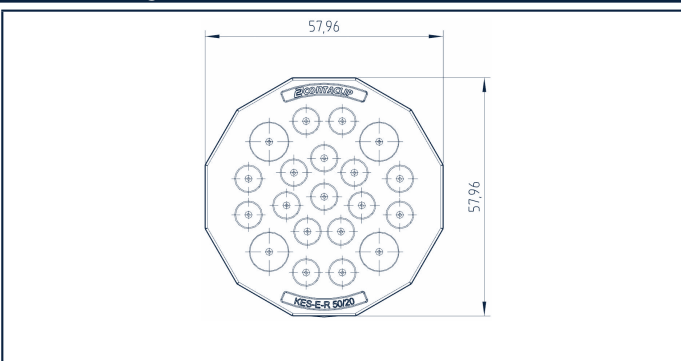
KES-E-R 50/18

Dimensional diagram



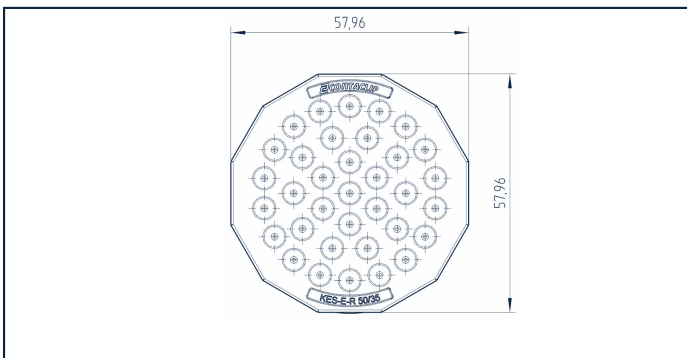
KES-E-R 50/20

Dimensional diagram

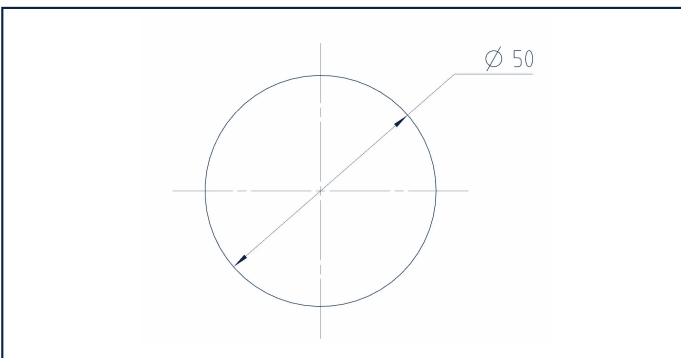


KES-E-R 50/35

Dimensional diagram



Mounting cut-out



IP54

RoHS
compliant

**Made in
Germany**

